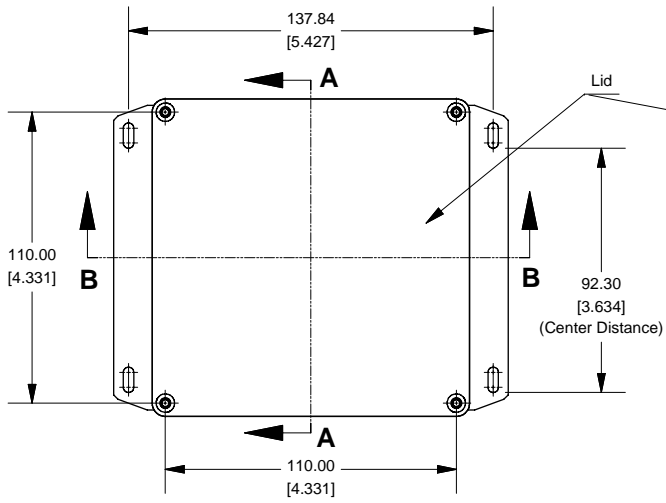
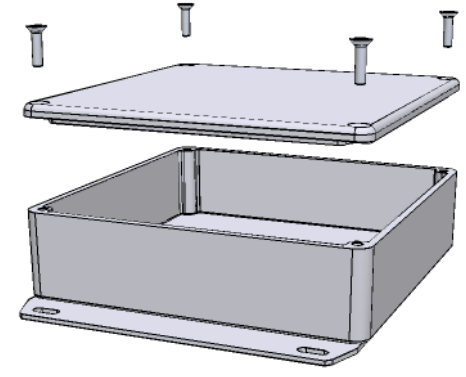
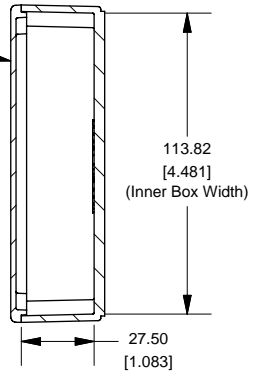


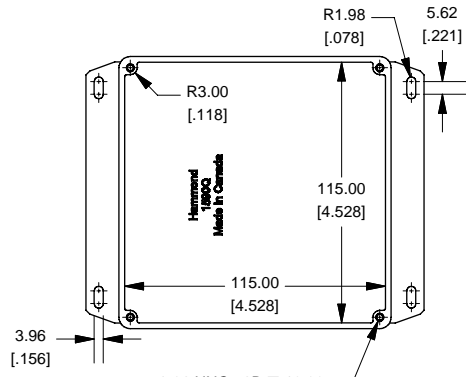
### Top View of Assembly



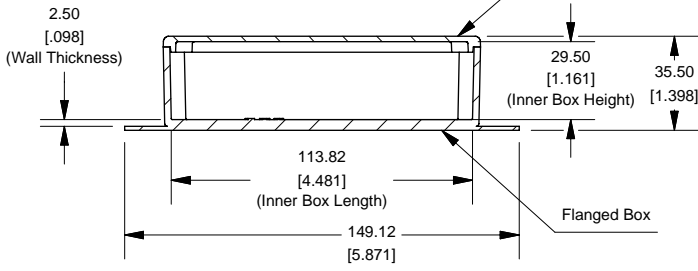
### SECTION A-A Side View of Assembly



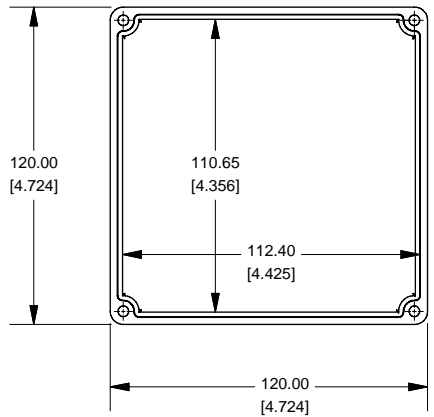
### Top View Looking Inside Box



### SECTION B-B End View of Assembly



### Lid



Enclosures can be Factory Modified ( Milling, Drilling, Printing etc.)  
Contact Factory [mjm@hammondmfg.com](mailto:mjm@hammondmfg.com) for quotes  
Solid models of this enclosure available in STEP or IGES.

#### NOTE

Purchased assembly includes box, lid and 4 cover screws.  
Box and lid are made from Diecast Aluminum Alloy (alloy type 380).  
Silicone Gasket Loctite #5950  
Bottom Flange is Welded

#### PART NUMBERS

|   |              |
|---|--------------|
| <b>1590QF Enclosure</b>   |              |
| Unfinished  | 1590QF       |
| Grey Textured Polyester Powder Paint - RAL 7038                             | 1590QFGY     |
| Black Textured Polyester Powder Paint - RAL 9011                            | 1590QFBK     |
| <b>1590QF Liquid Resistant Enclosure (Silicon Factory Installed Gasket)</b> |              |
| Unfinished  | 1590WQF      |
| Black Textured Powder Paint   | 1590WQFBK    |
| <b>ACCESSORIES</b>  |              |
| <b>Recommended Torque: 75 ozf.in / 55 cN.m</b>                              |              |
| Black Textured Cover Screws (Pkg 50)<br>[6-32 x 1/2" SS Type 304]           | 1590WMS100BK |
| Unfinished Cover Screws (Pkg 100)<br>[6-32 x 1/2" Nickel Plated Screws]     | 1590WMS100   |
| <b>Standard Cover Screws</b>  |              |
| Unfinished Cover Screws (Pkg 100)<br>[6-32 x 1/2" Nickel Plated Screws]     | 1590MS100    |
| Black Textured Cover Screws (Pkg 50)<br>[6-32 x 1/2" SS Type 304]           | 1590MS100BK  |



**HAMMOND  
MANUFACTURING™**

**1590QF**

[www.hammondmfg.com](http://www.hammondmfg.com)